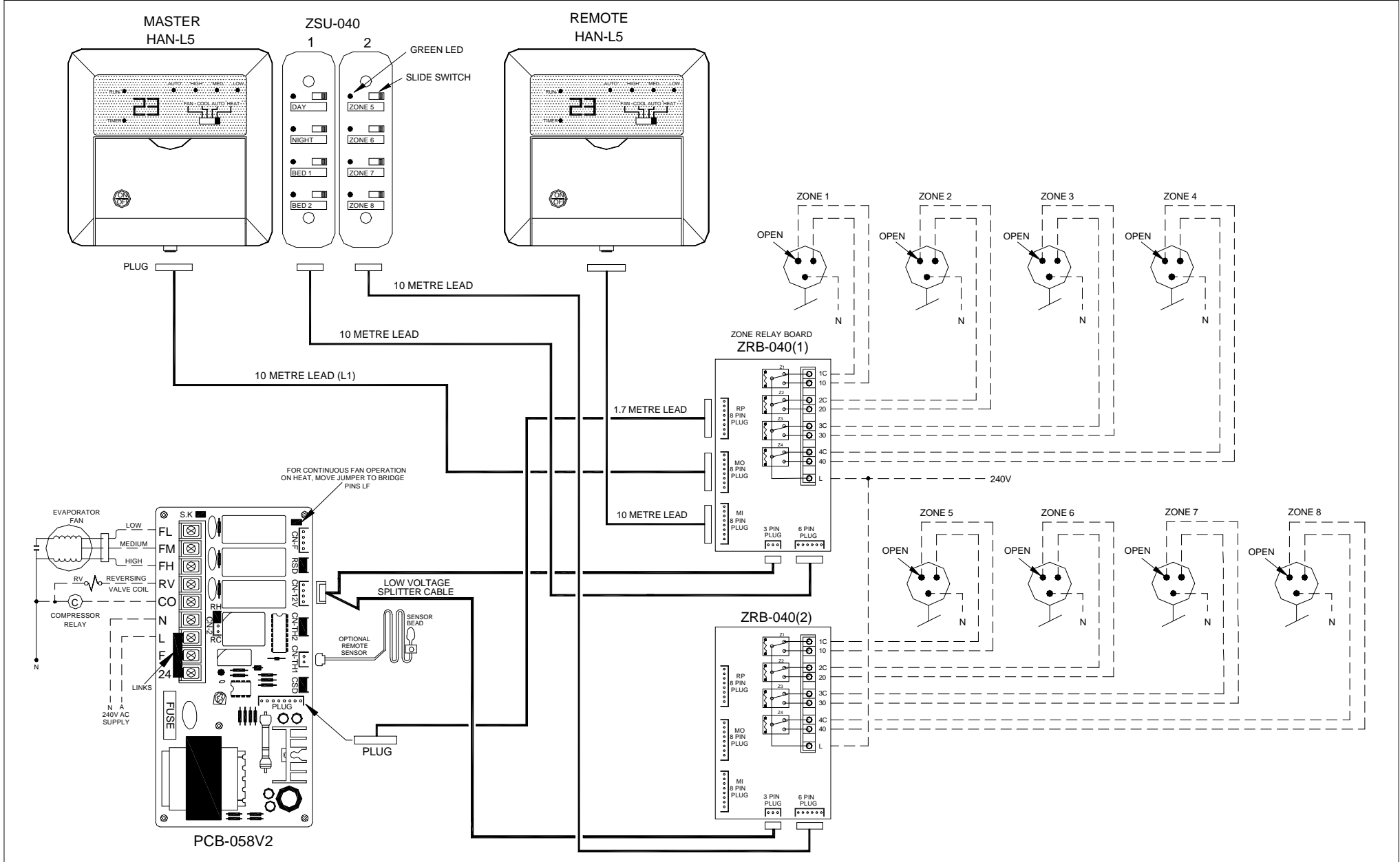


IN THE INTEREST OF PRODUCT IMPROVEMENT SPECIFICATIONS OR PERFORMANCE DATA MAY CHANGE WITHOUT NOTICE.



APP BY	DESCRIPTION	DATE



ACN 49 003 452 551  
 94 - 98 JARDINE ST  
 FAIRY MEADOW NSW 2519  
 PHONE: (02) 4283 5377 FAX: (02) 4283 5467

**SCHEMATIC WIRING DIAGRAM**  
 FOR HAN-L5 CONTROLLER WITH 2 OFF ZSU-040 ZONE SWITCH MODULES TO PROVIDE ON/OFF CONTROL UP TO 8 ZONES. A REMOTE SECOND HAN-L5 WALL CONTROLLER IS SHOWN CONNECTED TO THE ZSU MODULE TO PROVIDE CHANGE OVER OF THE A/C CONTROL TO THE NIGHT ZONE.

DRAWN	NNN	
CHKD	ECJ	
SCALE	NTS	
REV	0	
DATE	OCTOBER 1999	
DWG. NO.	CON-13A	