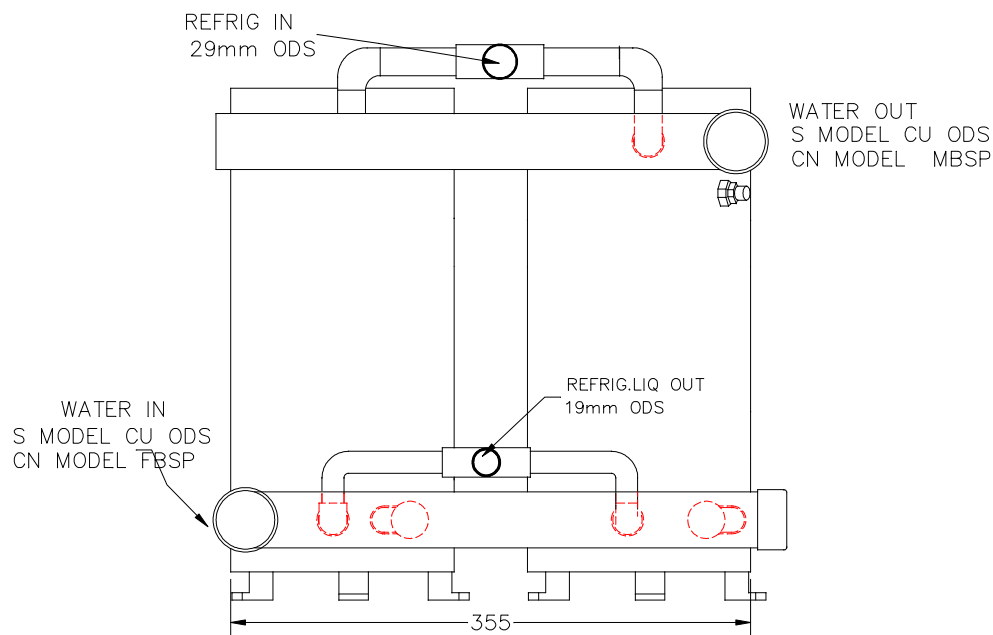


TOP VIEW

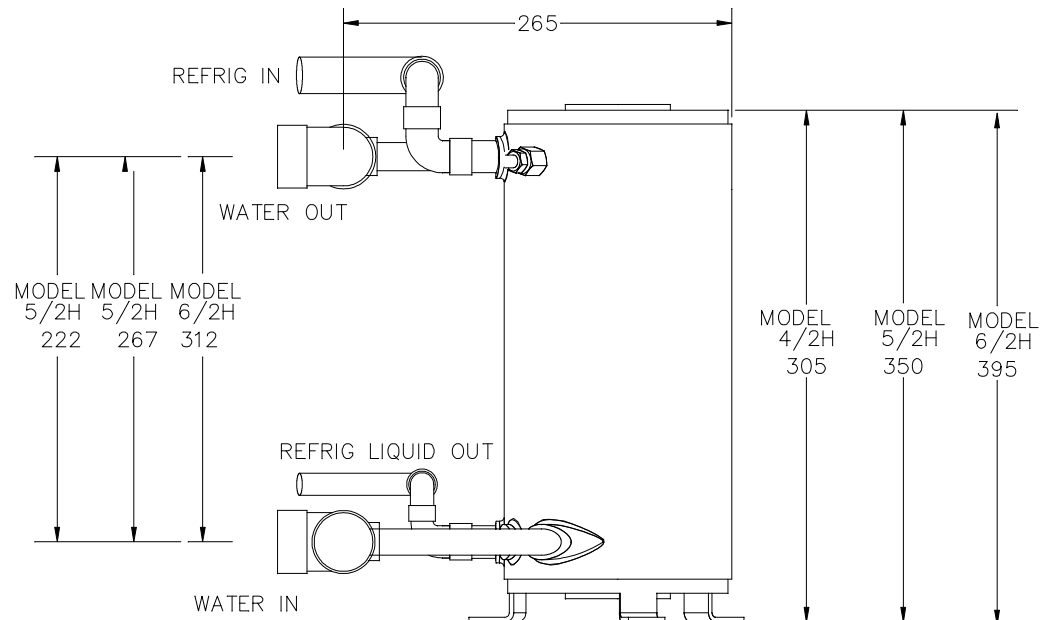
NOTE:  
 "S" SERIES CONDENSERS ARE FOR FRESH WATER INSTALLATIONS AND HAVE COPPER ODS CONNECTIONS.

"CN" SERIES CONDENSERS ARE FOR MARINE INSTALLATIONS WITH SEA WATER. WATER CONNECTIONS ARE FEMALE BSP.

WATER CONNECTION SIZES:  
 CN 4/2H 32MM FBSP  
 CN 5/2H 38MM FBSP  
 CN 6/2H 50MM FBSP



SIDE VIEW



END VIEW

APP BY	DESCRIPTION	DATE



5/20 DOYLE AVENUE  
 UNANDERRA NSW 2526  
 AUSTRALIA  
 PH: 02 4226 2413  
 EMAIL: sales@hanwest.com.au

GENERAL ARRANGEMENT & DIMENSIONAL  
 DATA FOR AQUA SYSTEMS WATER COOLED  
 CONDENSER ASSEMBLY MODEL'S S(CN)-4/2H  
 S(CN)-5/2H AND S(CN)-6/2H

DRAWN	ECJ
CHKD	ECJ
SCALE	NTS
REV	REV 0
DATE	10 JUNE 2018
DWG NO.	S(CN)-4(5)(6)-2H (18)

