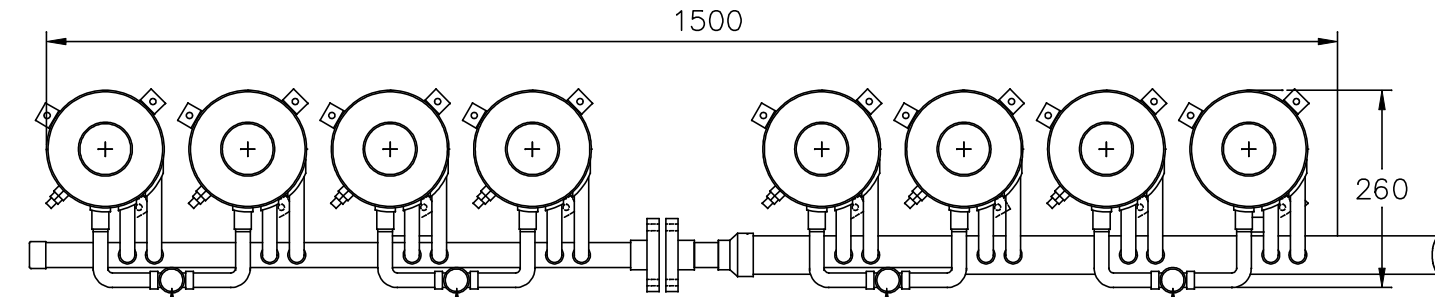


CONNECTION SIZES

REFRIG DISCH IN - 29mm(1-1/8") ODS

REFRIG LIQUID OUT - 19mm(3/4") ODS

COND WATER IN/ OUT - 77mm(3") ODS



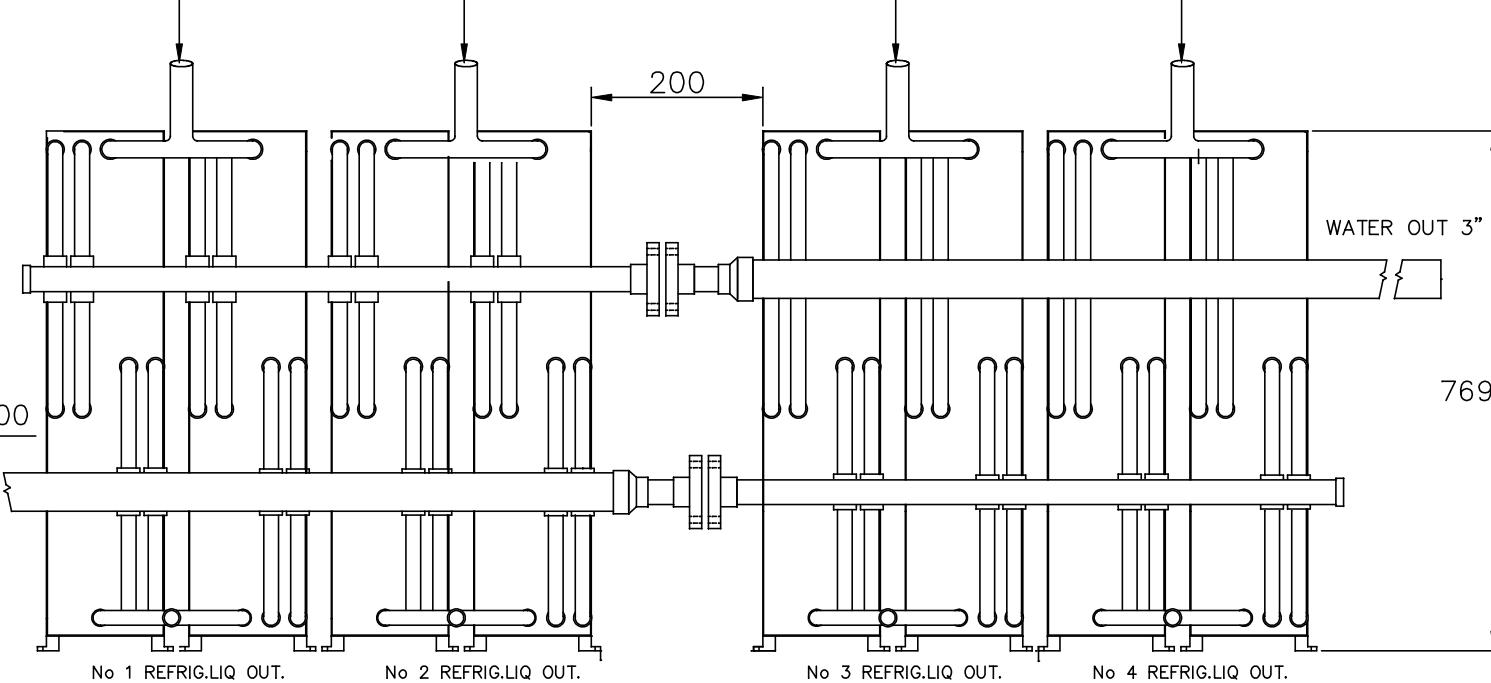
TOP VIEW

No 1 REFRIG.IN

No 2 REFRIG.IN

No 3 REFRIG.IN

No 4 REFRIG.IN



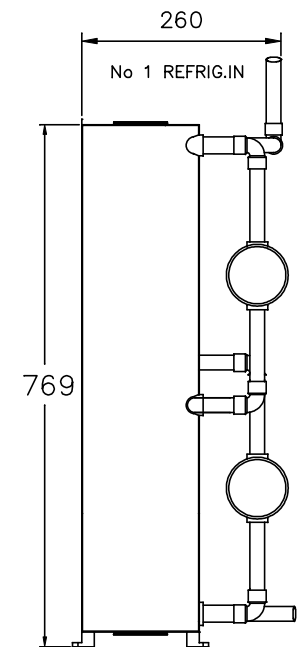
No 1 REFRIG.LIQ OUT.

No 2 REFRIG.LIQ OUT.

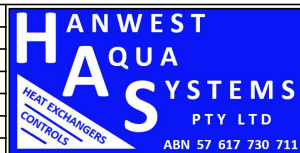
No 3 REFRIG.LIQ OUT.

No 4 REFRIG.LIQ OUT.

FRONT ELEVATION



END VIEW



5/20 DOYLE AVENUE
UNANDERRA NSW 2526
AUSTRALIA
PH: 02 4226 2413
EMAIL: sales@hanwest.com.au

GENERAL ARRANGEMENT & DIMENSIONAL DATA
FOR SYSTEMS MULTIPLE ASSEMBLY
MODEL S-6VT/8H-1W-4RC WITH
1 COMMON WATER CIRCUIT AND
4 REFRIGERATION CIRCUITS

DRAWN	ECJ
CHKD	ECJ
SCALE	NTS
REV	REV 1
DATE	29 AUGUST 2019
DWG NO.	S-6VT-8H-1W-4RC-FWM



APP BY	DESCRIPTION	DATE