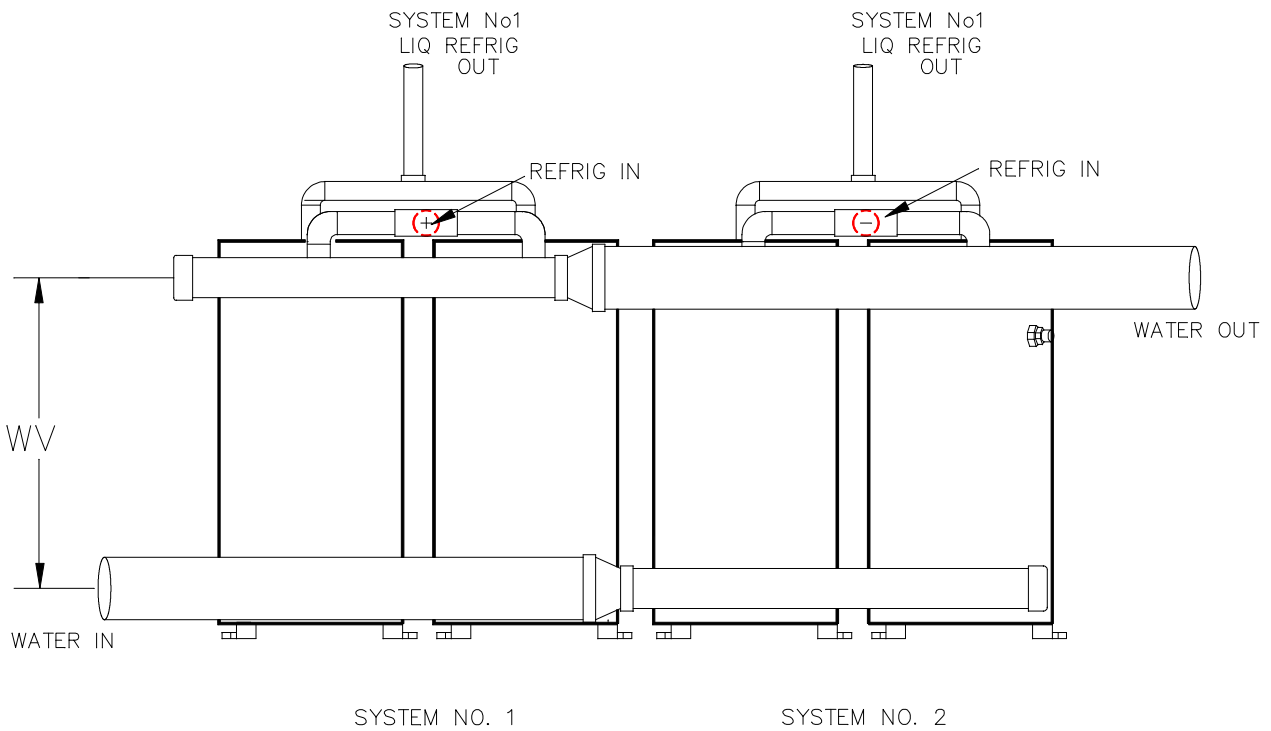


TOP VIEW



FRONT VIEW

DIMENSIONS

MODEL	L	W	H	WV
S-4R/4H	690	265	390	264
S-5R/4H	690	265	435	264
S-6R/4H	690	265	440	264

REFRIG CONNS		WATER CONNS
LIQUID	DISCH	IN/OUT ODS
1/2"	3/4"	1-1/2"
5/8"	3/4"	1-1/2"
5/8"	7/8"	2"



5/20 DOYLE AVENUE  
UNANDERRA NSW 2526  
AUSTRALIA  
PH: 02 4226 2413  
EMAIL: sales@hanwest.com.au

GENERAL ARRANGEMENT & DIMENSIONAL DATA FOR  
AQUA SYSTEMS "SR\*/4" SERIES CONDENSER ASSEMBLY  
WITH SINGLE WATER CIRCUIT & TWO REFRIGERATION  
CIRCUITS FOR TWIN COMPRESSOR APPLICATIONS

DRAWN	ECJ	
CHKD	ECJ	
SCALE	NTS	
REV	REV 0	
DATE	9 APRIL 2018	
DWG NO.	S-4R(5R)(6R)-4H-1W2RC (20)	