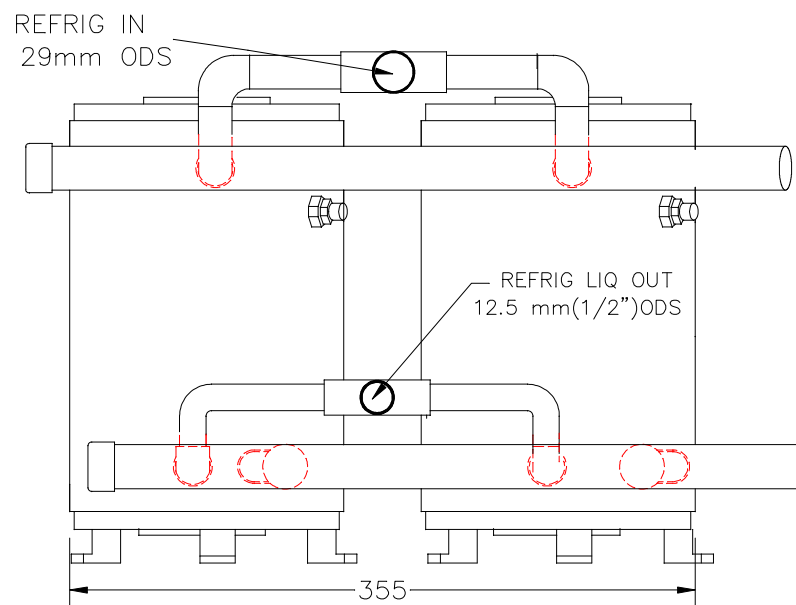
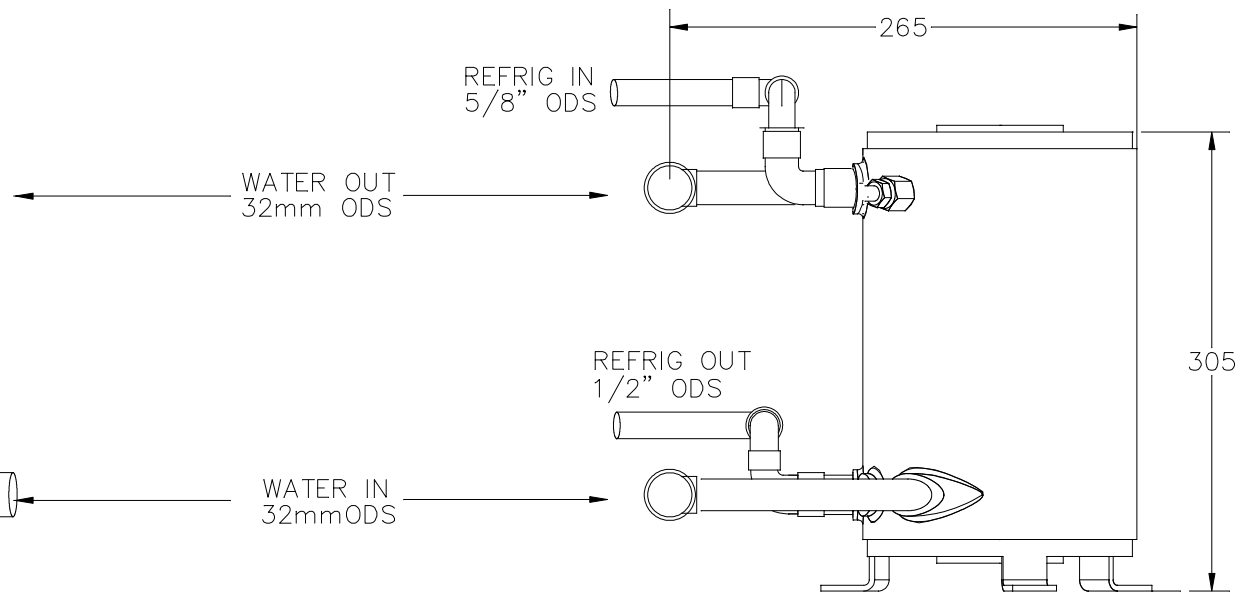


TOP VIEW

NOTE:  
WATER CONNECTIONS CAN BE SUPPLIED FOR RH (AS SHOWN) OR LH IF REQUIRED.



SIDE VIEW



END VIEW

GENERAL ARRANGEMENT & DIMENSIONAL  
DATA FOR AQUA SYSTEMS WATER COOLED  
CONDENSER ASSEMBLY MODEL S-4/2H



5/20 DOYLE AVENUE  
UNANDERRA NSW 2526  
AUSTRALIA  
PH: 02 4226 2413  
EMAIL: sales@hanwest.com.au

DRAWN	ECJ
CHKD	ECJ
SCALE	NTS
REV	REV 0
DATE	12 FEBRUARY 2020
DWG NO.	S-4-2H (2)



APP BY	DESCRIPTION	DATE