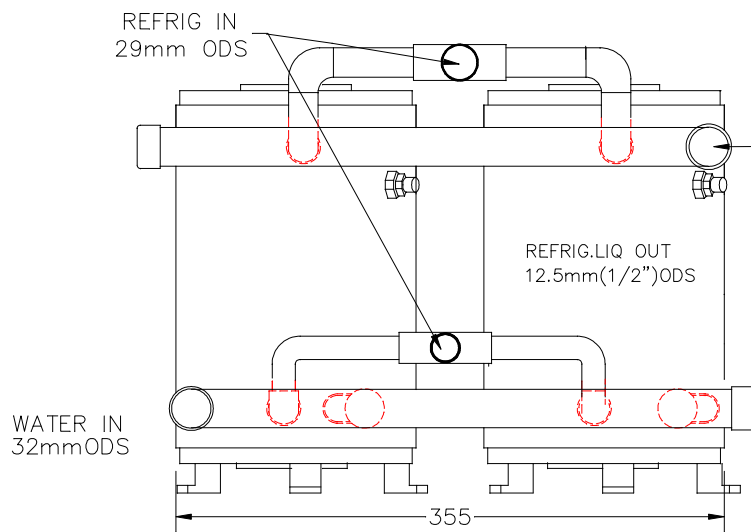
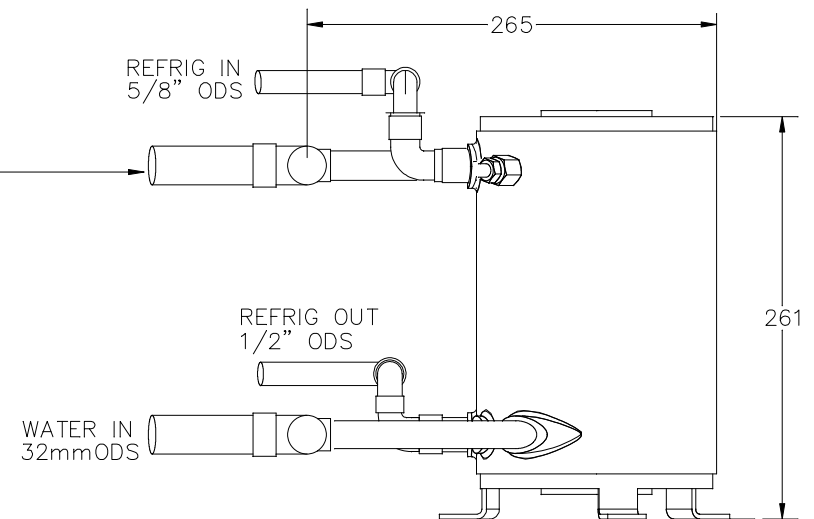


TOP VIEW



SIDE VIEW



END VIEW



5/20 DOYLE AVENUE
UNANDERRA NSW 2526
AUSTRALIA
PH: 02 4226 2413
EMAIL: sales@hanwest.com.au

GENERAL ARRANGEMENT & DIMENSIONAL
DATA FOR AQUA SYSTEMS WATER COOLED
CONDENSER ASSEMBLY MODEL S-3/2H

DRAWN	ECJ
CHKD	ECJ
SCALE	NTS
REV	REV 0
DATE	12 FEBRUARY 2020
DWG NO.	S-3-2H (20)



APP BY	DESCRIPTION	DATE