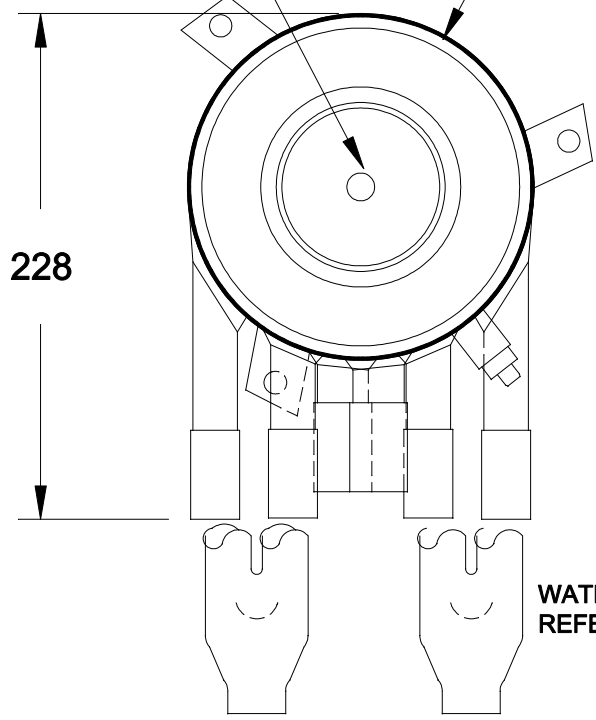


LIQUID REFRIG
OUT 12.5

Ø156

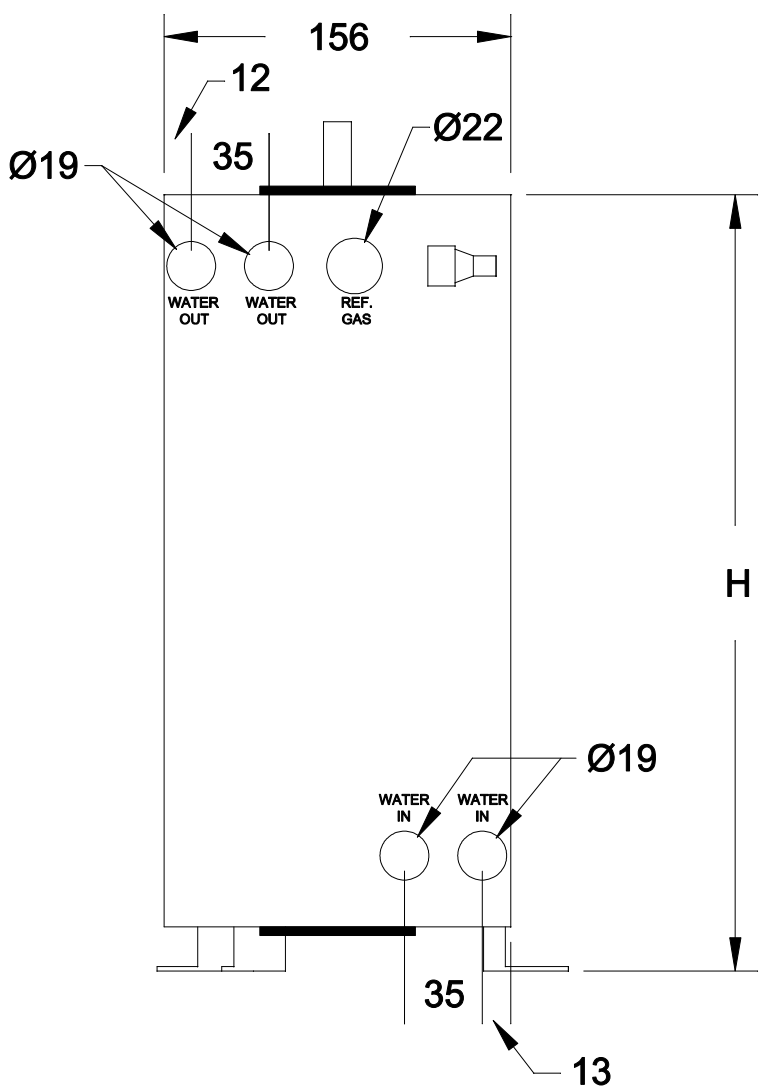


NOTE 1

"S-R" SERIES ARE SUPPLIED WITH
2 PCS COPPER MANIFOLDS
SUPPLIED LOOSE FOR
FIELD FITTING.

"CNR" SERIES ARE SUPPLIED WITH
2 PCS BRONZE MANIFOLDS
SUPPLIED LOOSE FOR
FIELD FITTING.

WATER MANIFOLDS
REFER NOTE 1.

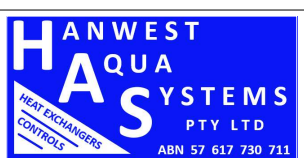


CONDENSER HEIGHT "H"

MODEL	mm
S-3R / CN 3R	260.4
S-4R / CN 4R	304.8
S-5R / CN 5R	349.3
S-6R / CN 6R	393.7

ALL DIMENSIONS IN mm.

APP BY	DESCRIPTION	DATE



**DIMENSIONAL DATA FOR
WATER COOLED CONDENSERS**
FRESH WATER MODELS: S-3R-4R-5R-6R
SEA WATER MODELS: CN-3R-4R-5R-6R
 FRESH WATER MODELS HAVE COPPER
 WATER TUBES.
 SEA WATER MODELS HAVE 90.10 CUPRO
 NICKEL WATER TUBES.

DRAWN	ECJ
CHKD	ECJ
SCALE	
REV	



DATE **23 SEPTEMBER 2019**
 DWG. NO. **SR-3-6 DIMS**