



HANWEST PTY LTD

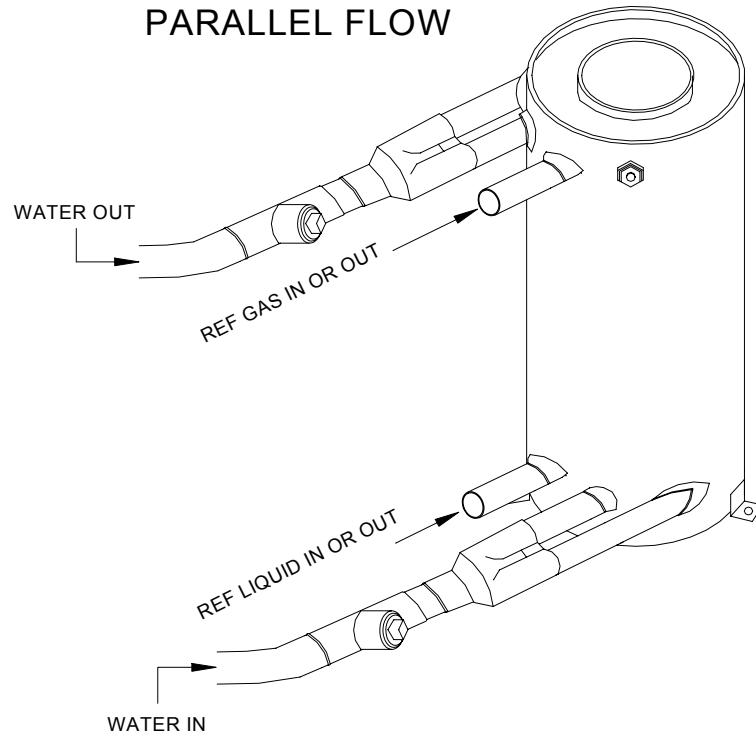
SPECIALISED COMPONENTS FOR AIR CONDITIONING & REFRIGERATION

ABN 49 003 452 551

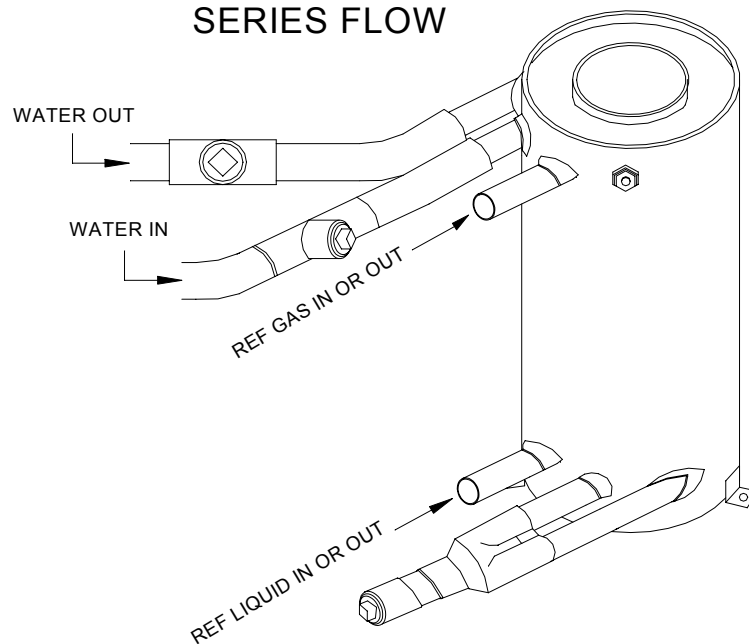
**AQUA
SYSTEMS
INC.**
Heat Exchangers™

AQUA SYSTEMS PIPE CONNECTIONS

PARALLEL FLOW



SERIES FLOW



IN THE INTEREST OF CONTINUOUS PRODUCT IMPROVEMENT SPECIFICATIONS OR PERFORMANCE DATA MAY CHANGE WITHOUT NOTICE.