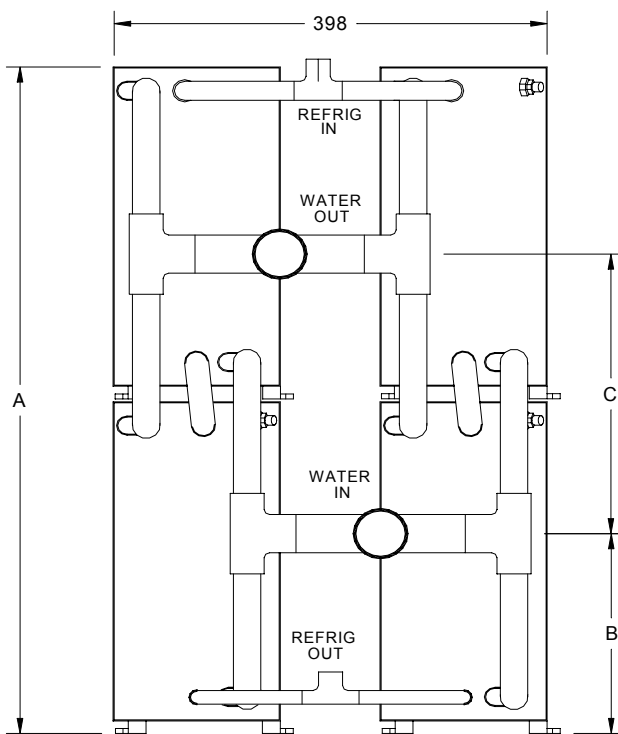
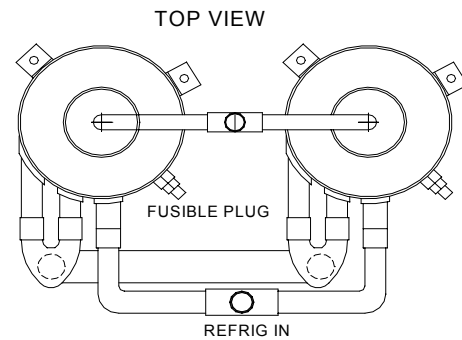
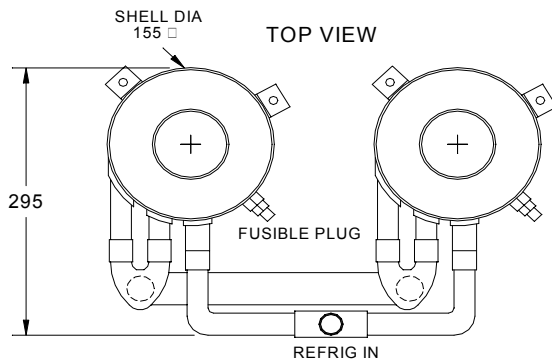


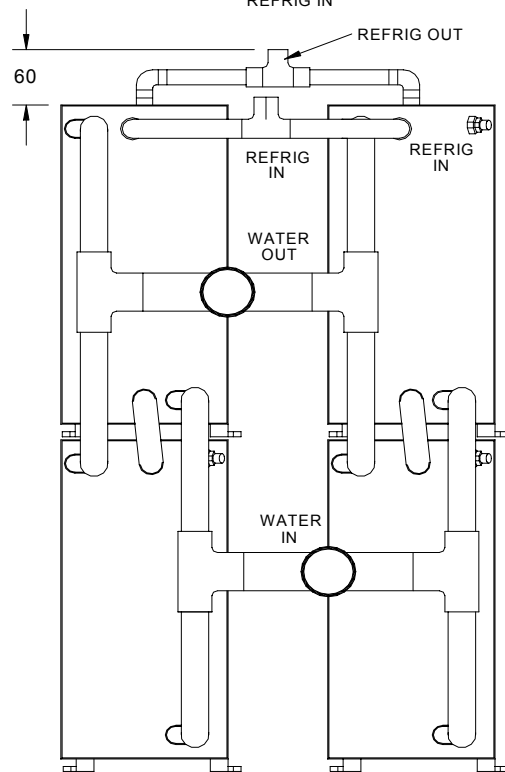


AQUA SYSTEMS "S-*/4VH" SERIES HIGH EFFICIENCY – LOW FOULING WATER COOLED REFRIGERANT CONDENSERS FOR AIR CONDITIONING OR REFRIGERATION INSTALLATIONS. MODELS AVAILABLE FOR FRESH WATER.



"VH" MODELS WITH "S" SERIES CONDENSERS IN MULTIPLE.

SIDE VIEW



"VHR" MODELS WITH "SR" SERIES LOWER CONDENSERS WITH RECEIVER OPTION.

SIDE VIEW

Models		Refrig. Conns. In / Out		Water In / Out		A mm	B mm	C mm
S-4/4VH	S-4/4RVH	22mm	19mm	32mm	565	140	150	
S-5/4VH	S-5/4RVH	29mm	19mm	38mm	650	160	170	
S-6/4VH	S-6/4RVH	29mm	22mm	38mm	730	190	200	

NOTE: Dimensions are in millimetres.
 Marine models are supplied with 90/10 cupro nickel water tubes and water headers.
 Nominal capacities based on entering water temperature of 29.5°C condensing temperature 42°C.

IN THE INTEREST OF CONTINUOUS PRODUCT IMPROVEMENT SPECIFICATIONS OR PERFORMANCE DATA MAY CHANGE WITHOUT NOTICE.